



H2O SYSTEMS INC.

Variable Speed DC pump

DC2500H, DC4000, DC6000, DC10000II, DC12000

Mississauga, Canada L4Y 4G6
Phone: +1 416 565 3572 Fax: +1 888 338 2909
www.rlss.ca

This manual is intended to provide you the technical specification and working parameters of the Waveline DC-Pump. Please review carefully the guidelines before installing the pumps. This device may cause risk to individual and property if not used within the guidelines described in this document. If the Waveline DC-Pump is misused or have been tempered with, H2O Systems will not be liable for damages it may cause and will not honour any warranties.

Any modification of the pump block, impeller, power supply, wiring, controller as well as any attempt to modify the software, or any circuit board to influence to performance of the Waveline DC-pump will immediately causes a loss of warranty and all claims and rights against H2O Systems.

H2O Systems will not be held liable for any personal injuries or property damages which possibly occur due to the inappropriate usage of the device. This also applies for any damages that are due to inappropriate piping or plumbing. Insufficient or missing cleaning-or maintenance intervals and damages that might result due to these are not covered by warranty. Calcinations and accumulated foreign particles in pinwheel or impeller such as sand, gravel or algae will lead to damages on motor block are not covered by warranty. H2O Systems explicitly limits the warranty to the pump itself and will not reliable for consequential damages, or damages that are caused by a malfunction or failure of the pump, such as a loss of animals.

Recommended usage

The Waveline DC-Pump can be used internally (submersed) or externally (in line) to move freshwater or saltwater. Only the pump block can be submersed, the controller and power supply cannot be submersed. If the pump is used externally we recommend to replace the O-ring every 2 years to prevent any leaks between the volute and the pump block. All components used in the DC-Pump are UV and Ozone resistant.

For optimum flow rate we do recommend using the larger pipe connector provided for the intake and output of the pump volute. Although smaller barb fitting is provided if used it will reduce total flow rate. In some case the reducing barb fitting can be used to reach pressure height desired.

Waveline DC-Pump specifications

	DC-2500 HP	DC-6000	DC-10000II	DC-12000
Input Thread	3/4 inch npt	1 1/4 inch npt	1 1/4 inch npt	1 1/4 inch npt

Output Thread	3/4 inch npt	1 inch npt	1 1/2 inch npt	1 1/2 inch npt
Input barb fitting EU	19mm	25mm	?	?
output barb fitting EU	19mm	21mm	?	?
power consumption	30 watts	48 watts	90 watts	138 watts
at full speed				
Max flow rate at 0 head	2500 l/h 650 gph	6000 l/h 1535 gph	10000l/h 2583 gph	12000 l/h 3100 gph
Power supply 110v/220v	24v -2 amp	24v - 4 amp	24v - 6 amp	24 v - 10 amp

Important Note: The Waveline DC-Pump controlling software regulates power consumption. Therefore you can use a higher rated power supply to power your Waveline DC-Pump as long as it is has a 24 volt rating but you will not use a lower power supply. This will cause the pump to underperform.

Working Parameters

- Recommended working parameters:
 - Liquid temperature: +2 to +50°C.
 - Environment temperature: 0 °C to max. +50 °C

The controller and power supply may not be used outdoors. It is only approved for indoor usage. Furthermore the controller and power supply should not be close direct heat sources such as lamps that are over 60watts. Adequate air ventilation has to be assured. If any of the wiring is damage, the pump cannot be used.

Pump Block	Speed	flow rate l/h	pressure MPA	max Head pressure Meters	total power consumption watts	Pump Power consumption watts	electrical power A
------------	-------	------------------	-----------------	--------------------------------	-------------------------------------	------------------------------------	--------------------------

DC-2500 software v.1.8	1	1700	na	2.4	8	8	0.4
	2	1900	na	3.2	11	11	0.5
	3	2100	na	3.5	15	15	0.6
	4	2300	na	3.6	20	20	0.8
	5	2450	na	3.9	25	25	1
	6	2500	na	4	30	30	1.3

DC-6000 software v 1.8	1	3710	0.018	1.3	15	12	0.5
	2	4150	0.022	1.9	19	16	0.7
	3	4530	0.027	2.3	23	20	0.8
	4	4890	0.032	2.8	28	24	1
	5	5160	0.034	3.1	32	28	1.1
	6	5310	0.038	3.4	35	31	1.3
	7	5570	0.04	3.8	39	35	1.4
	8	5740	0.044	4	44	39	1.7
	9	5920	0.046	4.5	48	43	1.8
	10	6100	0.048	4.7	52	47	1.9
	11	6300	0.05	5	55	50	2

DC-10000II software v 1.8	1	6400	0.019	1.8	23	20	0.8
	2	7100	0.024	2.3	31	27	1.2
	3	7700	0.029	2.7	38	34	1.4
	4	8200	0.031	3.1	45	40	1.7
	5	8500	0.036	3.4	52	46	1.9
	6	9000	0.04	3.8	60	54	2.2
	7	9300	0.043	4.2	67	60	2.5
	8	9500	0.046	4.5	74	67	2.8
	9	9800	0.049	4.8	81	72	3
	10	10000	0.052	5.1	88	79	3.3
	11	10500	0.055	5.5	93	85	3.5

1	6200	0.016	1.7	26	19	0.8
2	7200	0.022	2.4	36	27	1.2
3	8400	0.03	3.3	53	42	1.4

DC-12000 software v 1.8	4	9000	0.035	3.8	63	52	1.7
	5	9700	0.04	4.3	76	64	1.9
	6	10200	0.044	4.8	87	74	2.2
	7	10500	0.048	5.1	94	81	2.5
	8	11100	0.053	5.9	115	99	2.8
	9	11300	0.059	6.4	130	112	3
	10	11700	0.62	6.9	145	126	3.3
	11	12000	0.66	7	160	139	3.5

Maintenance

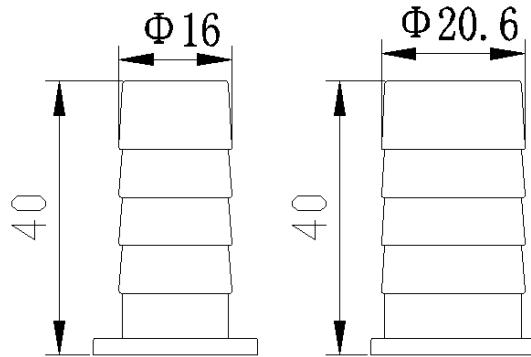
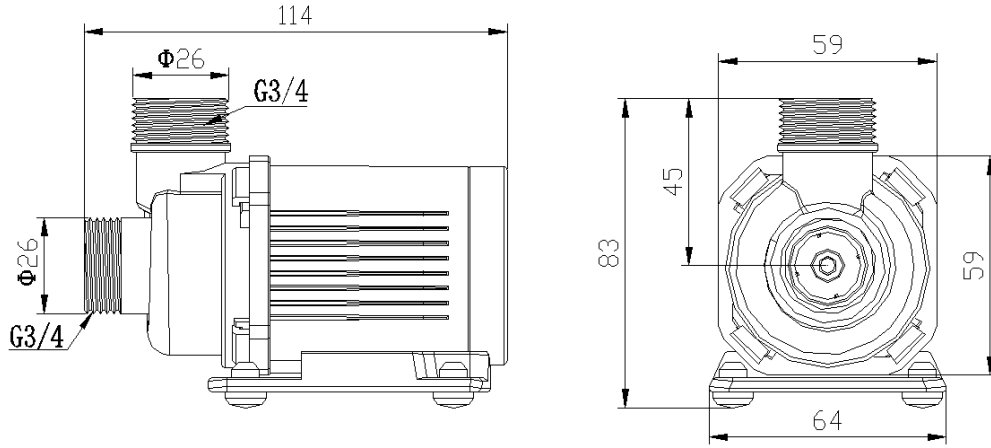
The Waveline DC-Pumps maintenance requires impeller and impeller housing cleaning. In addition make sure the intake is not clog with particulates that will restrict the flow intake. Simple vinegar can be used to remove calcination.

Limited warranty

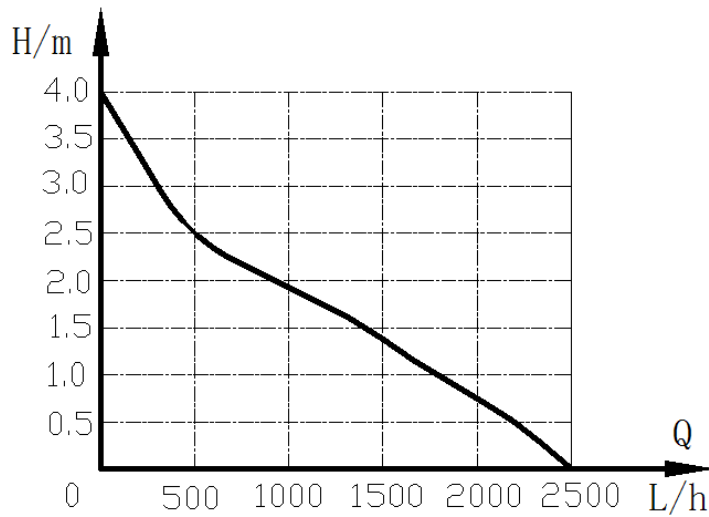
The Waveline DC-Pumps is warranty for a period of 1 year from the date of purchase. The user must register the product on our website for the warranty to be honored.

Annex:

DC-2500HP Dimensions

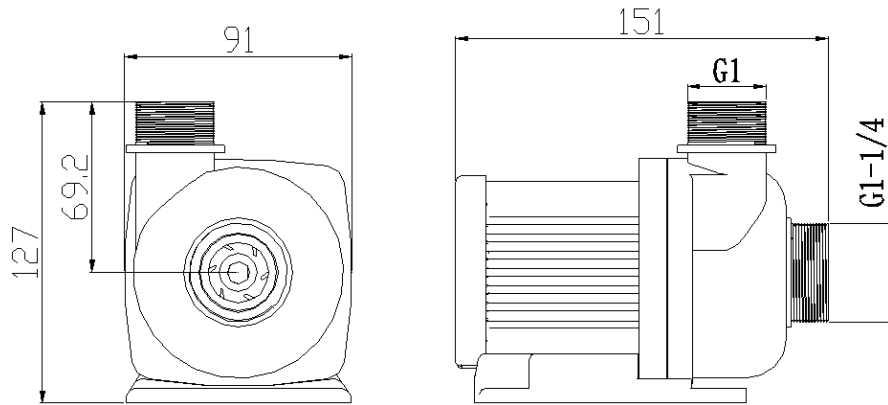


Flow chart



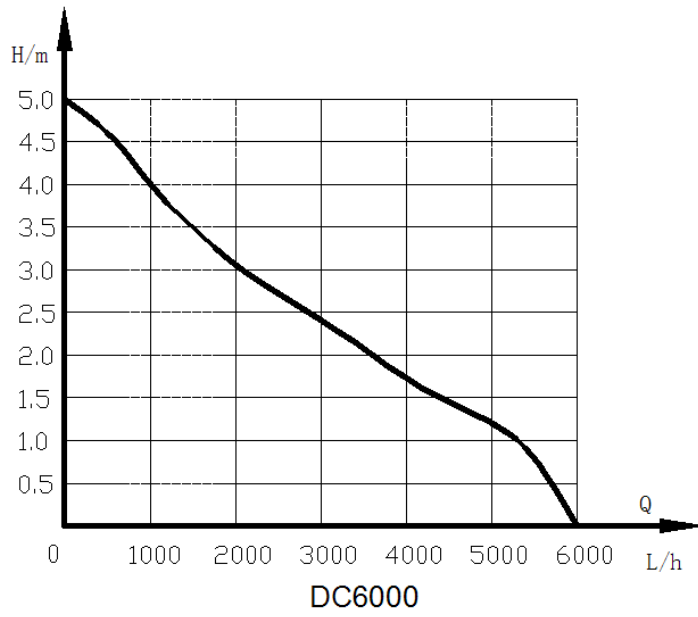
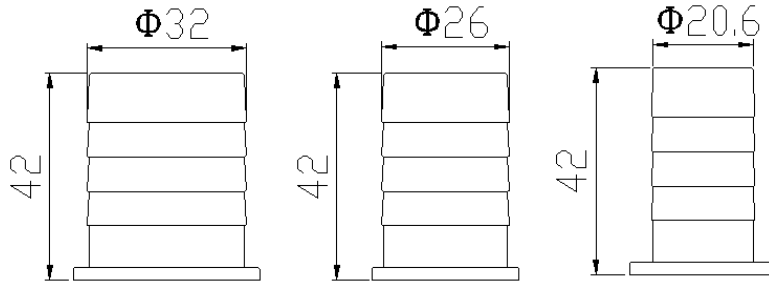
DC2500H

DC-6000/DC-4000(discontinued)

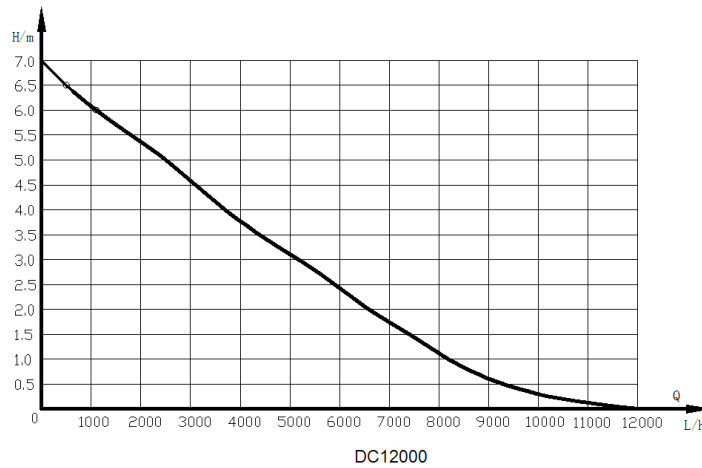
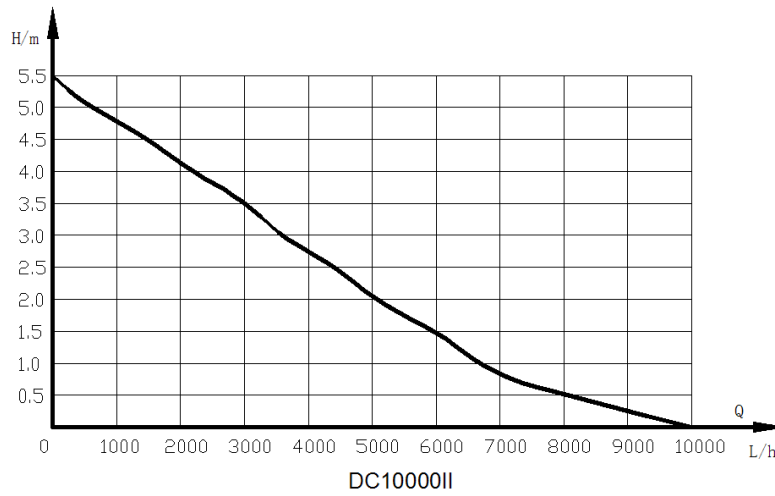
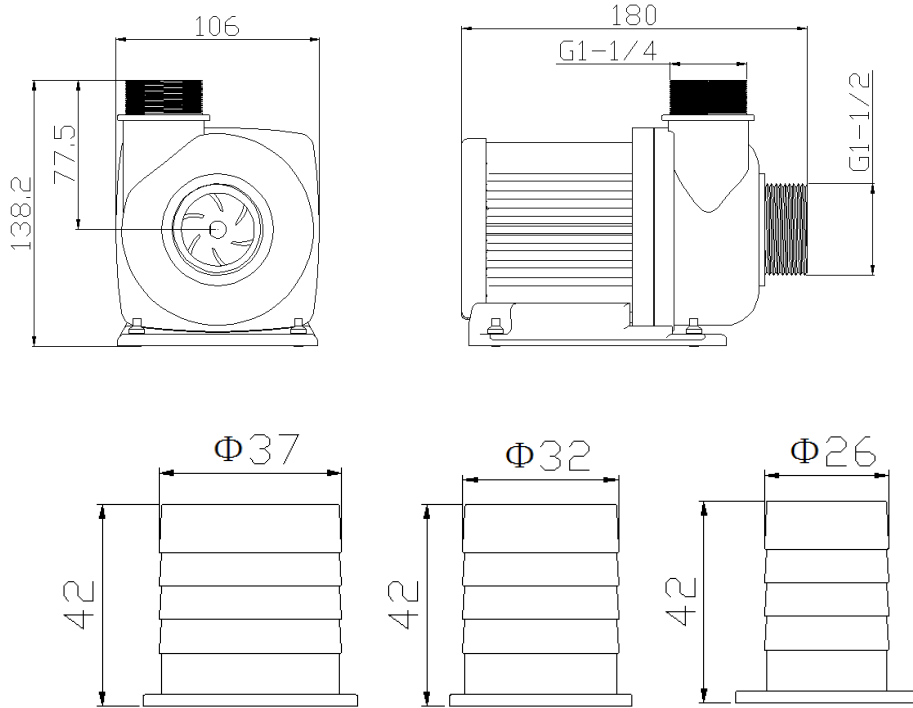


H2O SYSTEMS INC.
Mississauga, Canada L4Y 4G6
Phone: +1 416 565 3572 Fax: +1 888 338 2909
www.rlss.ca





DC 10000II/DC 12000



What's in the Box

provide photos of items

- Pump block
- AC/DC Transformer
- Controller
- Barb Adaptors
- Power cord

H2O SYSTEMS INC.
Mississauga, Canada L4Y 4G6
Phone: +1 416 565 3572 Fax: +1 888 338 2909
www.rlss.ca



H2O SYSTEMS INC.
Mississauga, Canada L4Y 4G6
Phone: +1 416 565 3572 Fax: +1 888 338 2909
www.rlss.ca

